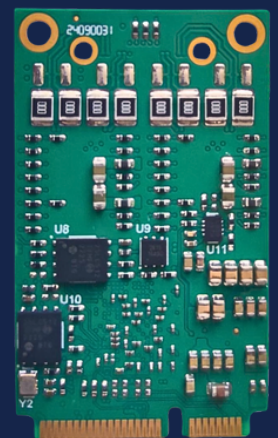
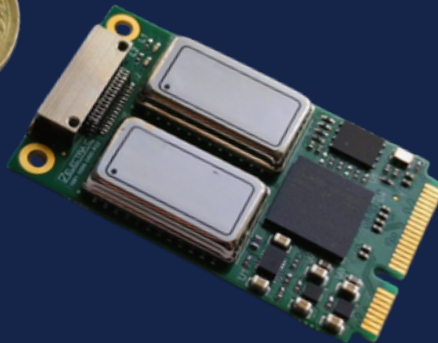


Full-Mini Card Form Factor F2 mPCIe MIL-STD-1553 Board



This Full-Mini Card Form Factor F2 PCIe board allows two dual redundant MIL-STD-1553 channels to be easily added to any small embedded system to provide a cost-effective, lightweight, small-size, rugged and reliable 1553 bus interface. The board can meet rugged levels of shock and vibration along with a maximum temperature range of -40°C to $+85^{\circ}\text{C}$.

APPLICATIONS

- Embedded MIL-STD-1553B Standard Applications
- Rugged Small Embedded Systems
- Bus Troubleshooting
- Diagnostic Systems
- Handheld Test Equipment

FEATURES

- Two Dual Redundant MIL-STD-1553 Bus Interface
- Simultaneously Configurable MIL-STD-1553 BC, RT, BM Modes
- Low-cost or rugged connector depends on the customer request
- 8x Discrete I/Os
- JTAG Interface
- High-Level C SDK for Windows®, Linux® and VxWorks®



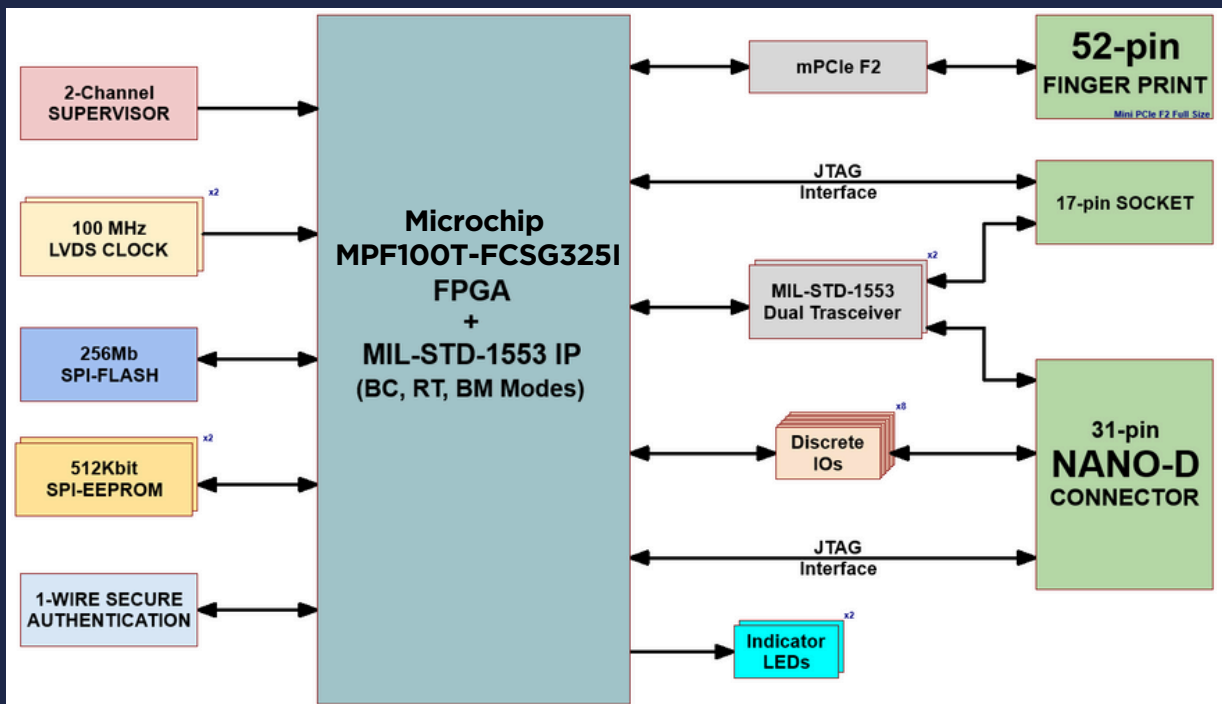
Technical Specs

- Microchip MPF100T-FCSG325I FPGA
- Air Cooled Board
- Full-Mini PCIe Host Interface
- 256 Mbit SPI-Flash
- 2x 512 Kbit SPI-EEPROM
- 1 Wire Secure Authentication
- 2x 100 MHz LVDS Diff Oscillator
- Voltage supervisor circuitry
- F2 mPCIe Full-Mini Card Form Factor (30x50.95)
- Standard PCI Express Mini Card Supply (+3.3V)
- -40°C & +85°C Operating Temperature
- RoHS Compliance

ORDERING INFORMATION

Product Code	Description
EIB-10C6DD	PCIe MIL-STD-1553 Board Two Dual Redundant with 2RT, 1BC, 1BM
EIB-10R7DD	PCIe MIL-STD-1553 Board Two Dual Redundant Only Remote Terminal
EIB-10B8DD	PCIe MIL-STD-1553 Board Two Dual Redundant Only Bus Controller
EIB-10M9DD	PCIe MIL-STD-1553 Board Two Dual Redundant Bus Monitor
EIB-10C6D	PCIe MIL-STD-1553 Board Dual Redundant with 2RT, 1BC, 1BM
EIB-10R7D	PCIe MIL-STD-1553 Board Dual Redundant Only Remote Terminal
EIB-10B8D	PCIe MIL-STD-1553 Board Dual Redundant Only Bus Controller
EIB-10M9D	PCIe MIL-STD-1553 Board Dual Redundant Bus Monitor

BLOCK DIAGRAM



electraic



www.electraic.com



info@electraic.com



+90 216 912 0167