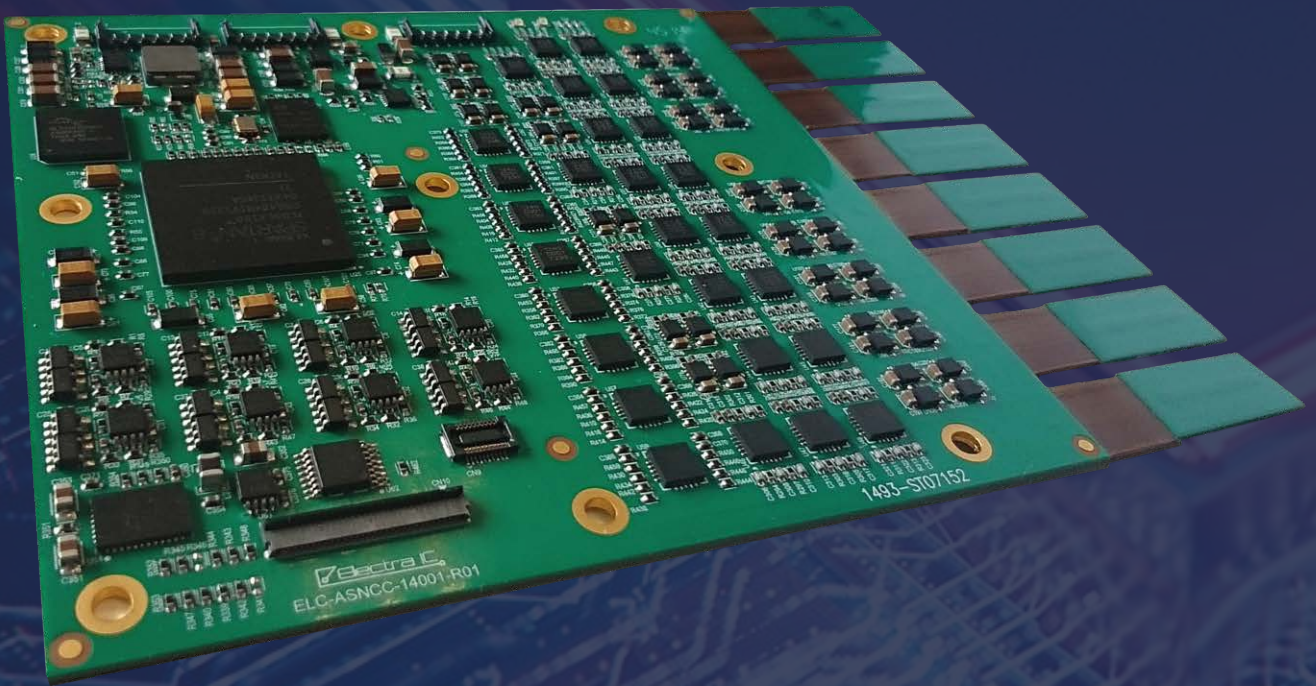


FPGA BASED RF CONTROL BOARD



SMALL FORM FACTOR

Dimensions : 13x100mm

Thickness : 3.6mm

SERIAL INTERFACE

5 Mbps serial interface to control RF modules
via various messages scenarios

RE-PROGRAMMABLE

FPGA based structure offers re-programmable
messaging structure.

RELIABILITY

Supervisory circuit provides overvoltage
protection for RF modules



electraic



www.electraic.com



trainings@electraic.com

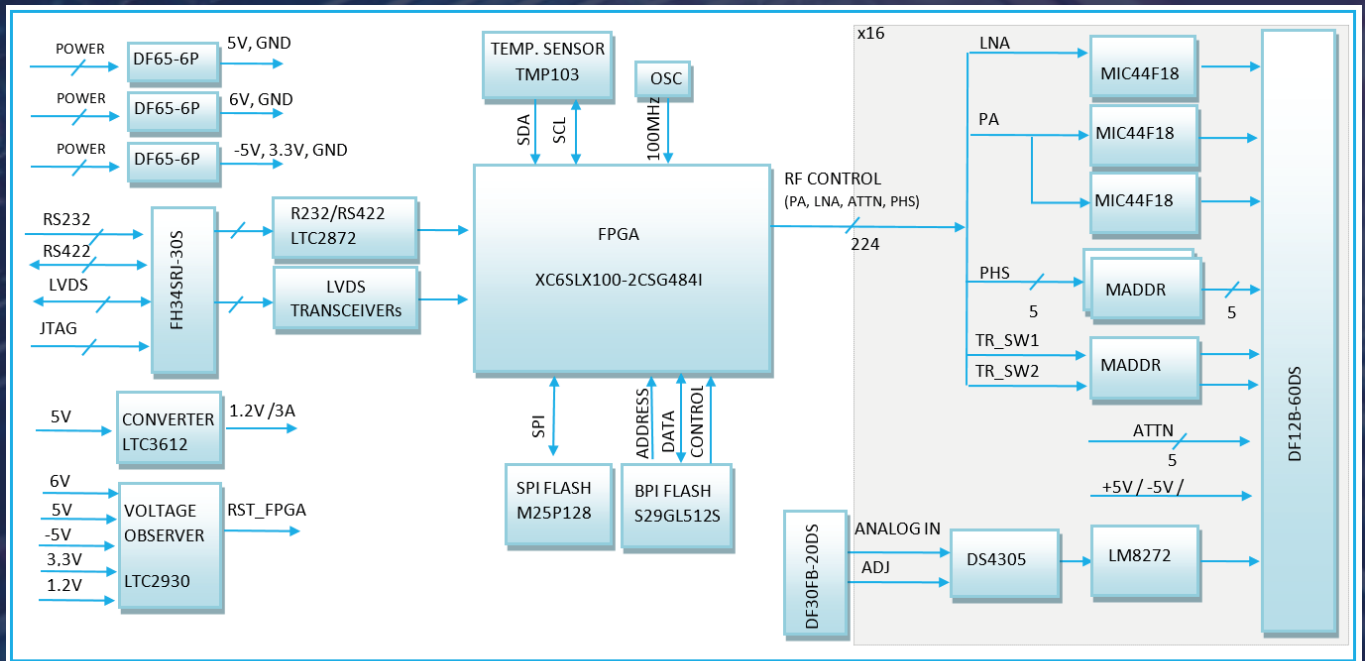


+90 216 912 0167

Features

- Xilinx Spartan 6 LX100 FPGA
- 64MB BPI Flash / 32MB SPI Flash
- RS485/RS232 Serial Interface
- Temperature Sensor
- Supervisory Circuit
- 4 LVDS Input / 2 LVDS Output
- JTAG Interface
- 16 Ch. TX/RX Control
- 16 Ch. PA Control
- 16 Ch. LNA Control
- 16 Ch. Reference Voltage Generator
- 16 Ch. Attenuator Controller
- 16 Ch. Phase Shifter Controller
- 12R-8F-10R Flexible PCB Structure
- GUI Based Test Software

BLOCK DIAGRAM



ELC-ASNCC-14001-R01



electraic



www.electraic.com



trainings@electraic.com



+90 216 912 0167